

IONMM

Application Note M01 – General Overview

Product Overview

The ION Management Module (IONMM) is a single slot design slide-in module that allows you to configure and manage all of the other ION family slide-in modules installed in an ION Chassis and remotely connected standalone modules. The IONMM can also manage standalone ION family Network Interface Devices (NIDs) that are configured as remote devices (connected to a corresponding slide-in module in the ION chassis). The IONMM connects directly to the chassis backplane and communicates with the individual ION slide-in modules installed within that ION Chassis. Only management traffic is sent across the ION Chassis backplane in order to maintain the security of management access and information. No customer data traffic is shared on the backplane. The purpose of all other ION slide-in modules is to provide a network interface to various devices.

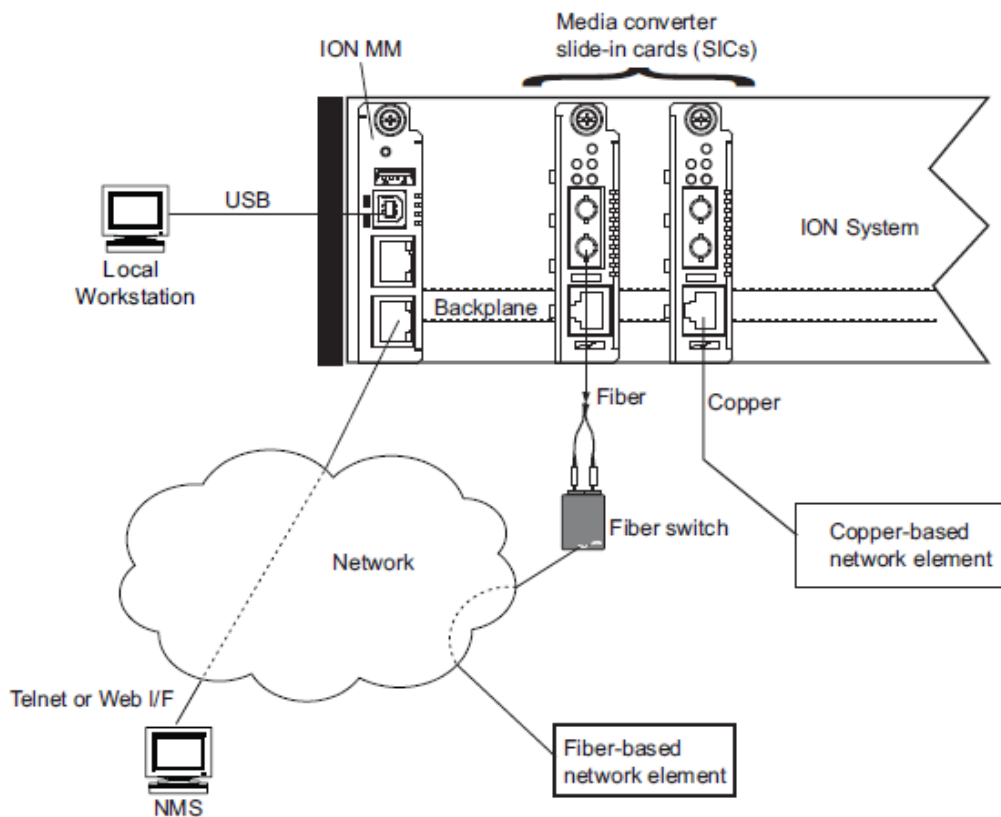


Figure 1: Simple ION System Configuration

****Note:** While the management module can be hot-swapped in any slot in the chassis system, Transition Networks recommends that an organization chooses to use the same slot in every chassis thereby normalizing any maintenance procedures and techniques. Typically this is done in slot 1 of the chassis as depicted in Figure 1.



Transition Networks, Inc.
10900 Red Circle Drive
Minnetonka, MN 55343
USA

Transition Networks Inc. offers networking connectivity solutions that make networks perform better, faster and more reliably while helping companies leverage their existing networking infrastructure.