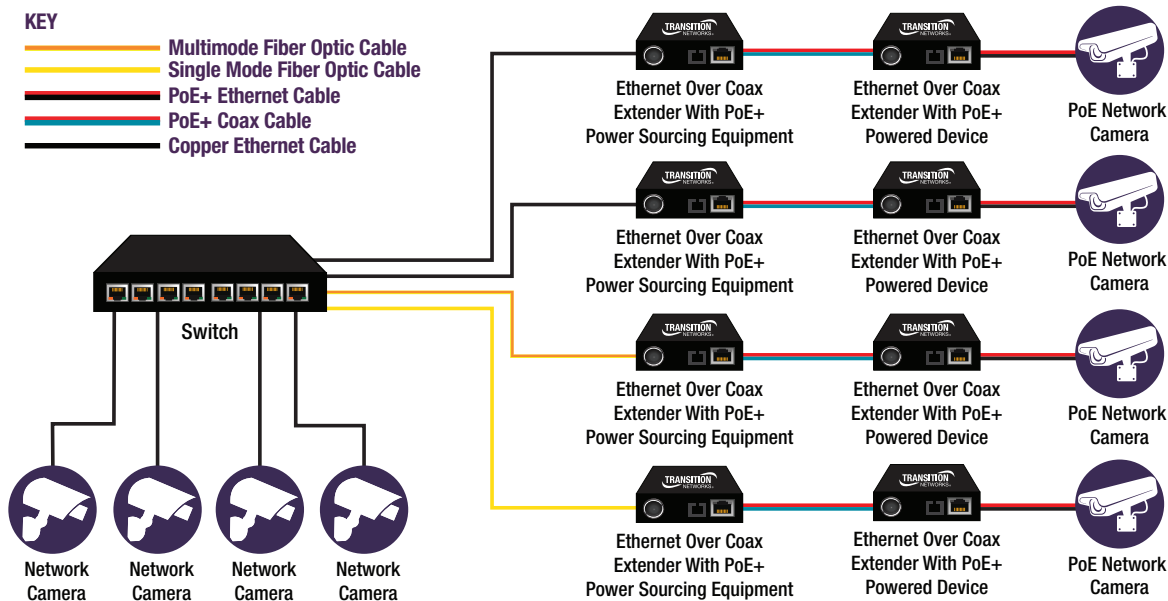


# Ethernet Over Coax Extender With PoE+



## Applications

- Conversion of analog CCTV surveillance system to IP-based cameras
- Extend network connectivity to a remote location utilizing existing coax infrastructure
- Bridge between two networks using a coax infrastructure

## Features

Communication Speed

Remote PoE+ Port IEEE 802.3at

PoE+ End Device Classification

Auto Power Reset

Copper and Fiber Connections

PoE+ Over Coax

Single IP Address

PoE+ Compliant

## Benefits

Near Gigabit communication speeds provide sufficient bandwidth for many different applications

Full PoE+ at 400 ft or less (dependent on cable type)

Devices use proprietary coax end device classification to prevent unintended powering of other remote devices

PoE+ connected device can be monitored and power cycled/rebooted in the event it becomes unresponsive

Gigabit copper and SFP Combo port connections provide network connection flexibility

No power connection is required for the remote unit or connected PoE+ device, allowing for maximum flexibility on the location of remote devices

Both the Local and Remote devices can be managed through the included web GUI using a single IP address, minimizing confusion and IP address exhaustion

Extenders are IEEE 802.3af/at compliant ensuring compatibility with compliant PoE/PoE+ powered devices

## Ethernet Over Coax Extender With PoE+

(1) 100/1000Base RJ-45/SFP Combo Port + (1) 1000Base Coax BNC Port



REMOTE

LOCAL

Local & Remote Must Be Used As a Pair

The Ethernet Over Coax Extenders with PoE+ are used as a pair of devices, with a local device at one end and a remote device the other end of the coax cable. The extenders provide flexibility for connecting to either copper or fiber Ethernet network equipment. The Local device offers both a 10/100/1000Base-T RJ-45 and 100/1000Base-X SFP connection, and provides a Gigabit BNC connection with power over coax to the Remote device. The Remote device receives power over coax through the BNC connection and provides both a 100/1000Base-X SFP and a 10/100/1000Base-T RJ-45 connector output with PoE+ power for IP cameras, wireless access points or other PoE powered end devices. Power for the Local device can be supplied through a properly isolated +48VDC power source or through the designated 90 Watt power adapter. The designated power adapter is optional for providing redundant power at the Remote device.

The Ethernet Over Coax Extenders With PoE+ are supplied with a web GUI, which allows password-protected access to various configuration options of both the Local and Remote devices through a single IP address. It also allows easy upgrades to firmware.

### Features

- Copper or fiber combo Ethernet port
- Remote PoE+ Port IEEE 802.3af for powering cameras or other remote devices
- Full PoE+ at 400 ft. or less\* (dependent on cable type)
- Coax distance in excess of 1000 ft. at near Gigabit speeds or 2000 ft. at Fast Ethernet speeds (dependent on remote power requirements)
- Proprietary coax end device classification prevents unintended power delivery to non-Transition Networks devices
- Power monitoring
- Auto Power Reset (APR) and power-saving mode
- Web browser configurable

\*Typical RG59U cable DC resistance of 50 ohm per 1000 ft. Cable with less DC resistance may increase distance. To determine power distance for specific cable types, refer to online [calculator](#).

Transition Networks Ethernet Over Coax Extender With PoE+ provides the ability to quickly and easily upgrade older analog surveillance systems with modern PoE powered IP video cameras without the need to replace the wiring infrastructure. These products leverage the existing CCTV 75 ohm coax infrastructure to extend the Ethernet network and provide power to remote camera locations, saving time and money over installing new cable. These extenders communicate at near Gigabit speeds and can also be used in other applications besides surveillance to extend Ethernet networks over an existing coax infrastructure.

### Specifications

Standards	IEEE 802.1p IEEE 802.3 IEEE 802.3af/at IEEE 802.3u IEEE 802.3z	IEEE 802.1Q IEEE 802.3ab IEEE 802.3az IEEE 802.3x
Ports	Ethernet: 10/100/1000Base-T RJ-45 or 100/1000Base-X SFP Combo Coax: 1000Base BNC PoE: 10/100/1000Base-T RJ-45 PoE+	
Status LEDs	Power, Coax Power, Coax ACT, Coax Security, Combo Port Link/ACT, PoE+	
Dimensions	Width: 3.25" [82.5 mm] Height: 1.25" [31.75 mm] Depth: 5.38" [136.7 mm]	
Power Consumption	45 Watts (max) EOCPSE 4 Watts EOCPD 4.4 Watts	
Power Input	48 VDC	
Ingress Protection	IP30	
Environment	Operating: 0°C to +65°C (Industrial +85°C SFP modules must be used above 50°C ambient temperature) Storage: -40°C to 85°C Humidity: 5% to 95% (non-condensing) Altitude: 0 – 10,000 ft.	
Weight	1.05 lbs. [0.48 kg]	
MTBF	Greater than 200,000 MIL-HDBK-217F Hours	
Certifications	Safety: External Power Supply: CE Mark; Emissions: FCC Part 15, CISPR22/EN55022 Class A; Immunity: EN55024	
Warranty	5 Years	

### Ordering Information

ONE LOCAL UNIT MUST BE PAIRED WITH ONE REMOTE UNIT

**\*EOCPSE4020-110 (Local)**

- (1) 10/100/1000Base-T port
- or (1) 100/1000Base-X SFP combo port
- + (1) 1000Base BNC port

**\*EOCPD4020-110 (Remote)**

- (1) 10/100/1000Base-T PoE+ port
- IEEE 802.3af/at
- or (1) 100/1000Base-X SFP combo port
- + (1) 1000Base BNC port

\*Notes: Local and Remote must be used as a pair. A properly isolated power source is required for each Local unit and an external power supply is optional for Remote units depending on power requirements.

Industrial Power Supplies (sold separately)

**25148 (Power Adapter)**

- 90 ~ 264 VAC; 127 ~ 370 VDC
- (Country specific power cord included)

Optional Accessories (sold separately)

**SFP Modules**

Mounting Options (sold separately)

**WMBL**

- Wall Mount Bracket 4" [102 mm]

**WMBD**

- DIN Rail Bracket 5" [127 mm]

**WMBD-F**

- DIN Rail Bracket (flat) 3.3" [82 mm]

**WMBV**

- Vertical Wall Mount Bracket 5" [127 mm]

**RMS19-SA4-02**

- 4-Slot Media Converter Shelf, includes 4 brackets and 3 slot blanks

### Features Continued

- Plug-and-Play installation
- Field upgradeable firmware
- Managed through a single IP address
- Auto-MDI/MDIX
- 128 Bit AES encryption over coax
- IPv4 and IPv6 supported
- 1518 Byte frames
- Client for DHCP, DNS, NTP
- Connection for optional power on Remote device
- Preserves investment in existing coax infrastructure