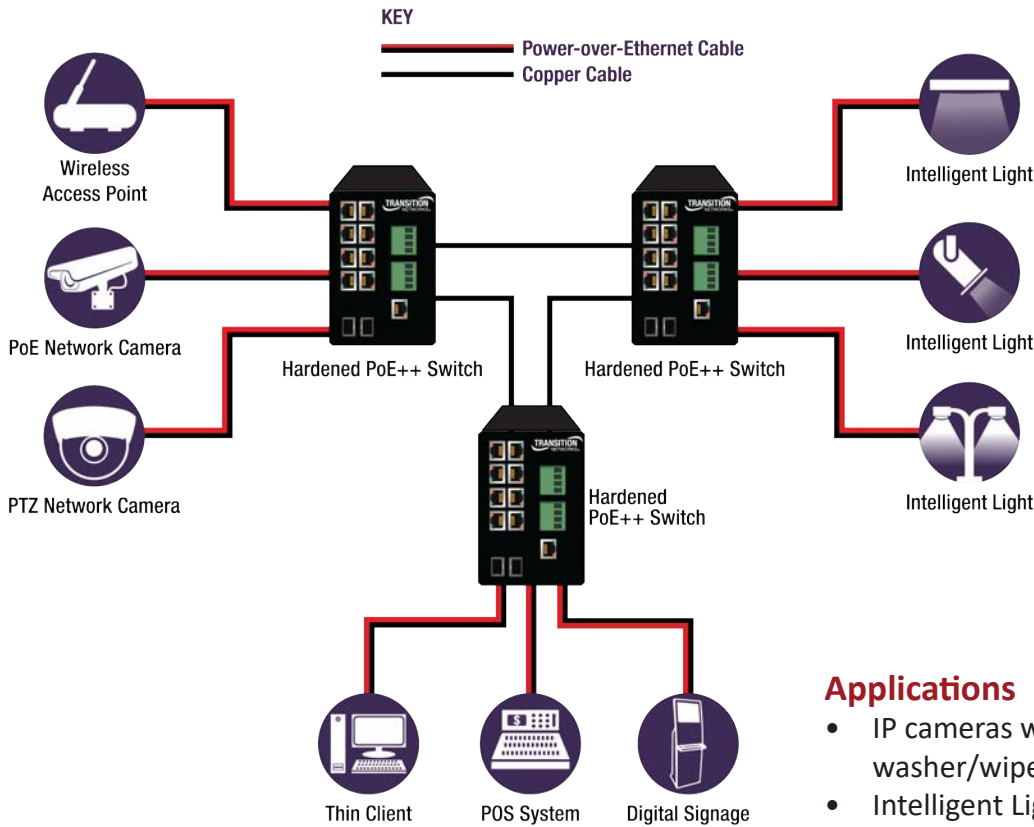


Managed Hardened PoE++ Switch with Device Management System



Applications

- IP cameras with PTZ, temperature control, washer/wipers or other advanced features
- Intelligent Lighting
- Intelligent Transportation System (ITS)
- Thin Client, POS system, digital signage

Features

IEEE 802.3bt/at/af Compliant

Supply up to 90 Watts Output

Auto Power Reset (APR)

PoE Scheduling

Up to 480 Watts PoE Budget

NEMA TS-2 Certified

Device Management System (DMS)

Benefits

Delivers higher power more efficiently by utilizing all four pairs of structured wiring. Increases maximum PSE output power to up to 60 Watts (Type 3) or up to 90 Watts (Type 4) PoE++ power

Support for higher power enables new applications such as PTZ security cameras, LED lighting or digital signage

Automatically monitors and resets powered devices when unresponsive, reducing service dispatches for simple device resets

Provides capability to enable or disable power to specific ports during designated days and times, contributing to energy conservation and cost savings

Higher PoE power to more devices allows up to 60 Watts on all eight ports simultaneously or up to 90 Watts on four ports simultaneously

Meets standards established by the National Electrical Manufacturers Association (NEMA) to ensure safe and reliable operation in Intelligent Transportation Systems (ITS). This certification ensures you are receiving high quality, enhanced solutions for your ITS network

This unique set of value-added features and capabilities lowers overall cost, reduces downtime, and provides easier management and maintenance of the connected PoE network

Managed Hardened Gigabit Ethernet PoE++ Switch

(8) 10/100/1000Base-T PoE++ Ports + (2) 100/1000Base-X SFP Slots



The SISPM1040-582-LRT is a managed PoE++ switch suitable for connecting and powering devices in hardened environments. It has (8) 10/100/1000 PoE++ ports with (2) 100/1000 dual speed SFP slots. The switch can supply up to 90 Watts per port on (4) ports or 60 Watts per port on (8) ports simultaneously. The switch also includes the embedded Device Management System (DMS) software that provides the advanced tools necessary for total management of all IP addressable devices. The unique DMS provides security integrators with lower overall cost, less downtime and easier management of the entire PoE+ network.

Transition Networks' hardened switches are certified to operate reliably in harsh environments such as those found on factory floors, outdoor enclosures or other

challenging environments.

Features

- Plenum UL Certified
- IPv4/IPv6 dual protocols
- Supports Jumbo Frame up to 9K bytes
- Authentication - RADIUS, TACACS+
- DHCP Relay, DHCP Snooping, DHCP Server
- L2/L3/L4 ACLs Support MAC, VLAN ID, or IP address, protocol, per port
- LLDP (Link Layer Discovery Protocol)
- ITU-T G.8031 Ethernet Linear Protection
- ITU-T G.8032 Ethernet Ring Protection Switching
- Rapid Ring for fast recovery
- IEEE 802.3az Energy Efficiency
- IP Source Guard, Port Security
- Port Mirroring
- Syslog

PoE Features

- Compliant with IEEE 802.3bt PoE++
- Compliant with IEEE 802.3at PoE+
- Compliant with IEEE 802.3af PoE
- IEEE 802.1AB LLDP-MED Configuration
- PoE Configuration
- PoE Scheduling
- Power Delay
- Auto Power Reset
- DHCP per Port
- Always on PoE

Device Management System (DMS)

- Graphical Monitoring – Topology view, Floor view, Map view
- Traffic Monitoring
- Troubleshooting – Network diagnostic, protection mechanism, performance and link management

Specifications

Standards	IEEE 802.3 IEEE 802.3z IEEE 802.3x IEEE 802.1D IEEE 802.1s IEEE 802.1p IEEE 802.1AB IEEE 802.3at IEEE 802.3ah IEEE 802.3az ITU-T Y.1731 ITU-T G.8032	IEEE 802.3u IEEE 802.3ae IEEE 802.3ad IEEE 802.1w IEEE 802.1Q IEEE 802.1ad IEEE 802.3af IEEE 802.3bt IEEE 802.1ag IEEE 1588 v2 ITU-T G.8031 IEC62439-2
Protocols	CSMA/CD	
Technology	Store-and-forward switching architecture	
Connectors	(8) 10/100/1000 Mbps RJ-45 ports (2) 100/1000 Mbps SFP slots (1) Console RJ-45 port	
MAC Address	8K MAC address table	
Backplane	20 Gbps	
DIP Switch	Rapid Ring Setting (2-Pin)	
Reset Button	Reset the switch, restore factory default	
Digital Output (relay)	24VDC/1A	
Digital Input	Level 0 (Low): 0V to 6V Level 1 (High): 10V to 24V	
Dimensions	Width: 2.44" [62 mm] Depth: 5.12" [130 mm] Height: 5.31" [135 mm]	
Power Consumption	13 Watts (without PoE)	
Power Input	52 - 57VDC dual inputs Terminal Block	
Power-over-Ethernet	Max PoE Budget 480 Watts 60 Watts for (8) ports simultaneously Up to 90 Watts on (4) ports simultaneously	
Ingress Protection	IP30	
Environment	Operating: -40°C to +75°C (DC input)	
MTBF	82,976 hours	
Certifications	FCC Class A; CE; NEMA TS-2, UL 2043, UL 2108 Safety: EN62368-1, UL62368-1	
Compliant* (Designed to Meet)	IEC61850-3, IEEE 1613, Class 1 Div 2	
Warranty	5 Years	

*Please contact sales with certification needs

Ordering Information

SISPM1040-582-LRT

(8) 10/100/1000Base-T PoE++ ports
+ (2) 100/1000Base-X SFP slots
52V - 57 VDC (Din Rail Bracket included)

Optional Accessories (sold separately)

SFP Modules

EDCA-DIO-01

Enclosure Door Contact Alarm

OCA-P181610

18x16x10" Polycarbonate Enclosure

Industrial Power Supplies (sold separately)

25160

Input 90-264 VAC, 127-370 VDC
Output: 48 ~ 55 VDC, 10A, 480 Watts

25104

Input: 85-264 VAC, 124-370 VDC
Output: 48 ~ 55 VDC, 5A, 240 Watts

PS-DC-DUAL Series

Input: 100-240 VAC
PS-DC-DUAL-5624T: 56VDC + 24V output
PS-DC-DUAL-5612T: 56VDC + 12V output

Mounting Brackets (sold separately)

WMBH-01

Wall Mount Bracket

DRBH-01

Din Rail Bracket

Software Features

- Management: Web Management, SNMP V1/V2c/V3, SSH, CLI
- Port Trunk: Supports IEEE 802.3ad port trunk with link aggregation control protocol (LACP) and static trunk
- Multicast: Support IGMP Snooping V1/V2/V3, MVR, MLD Snooping V1/V2
- Quality of Service: Supports 8 hardware queues. Strict priority and WRR, Ingress policer, Egress shaping and per port rate control
- Spanning Tree: Supports IEEE 802.1s MSTP, IEEE 802.1w RSTP and IEEE 802.1D STP Compliant
- VLAN: Port Based VLAN, IEEE 802.1Q tag-based, up to 4k VLAN entries, QinQ, MAC-based VLAN, Management VLAN, Voice VLANs, and Private VLAN
- Firmware Update through TFTP and HTTP/HTTPS
- IEEE 802.3ah, IEEE 802.1ag, ITU-T Y.1731
- Support IEEE 1588 v2 PTP
- Media Redundancy Protocol (MRP)
- Static Routing