

## SESPM-4P-PMB Pole Mount Bracket Kit

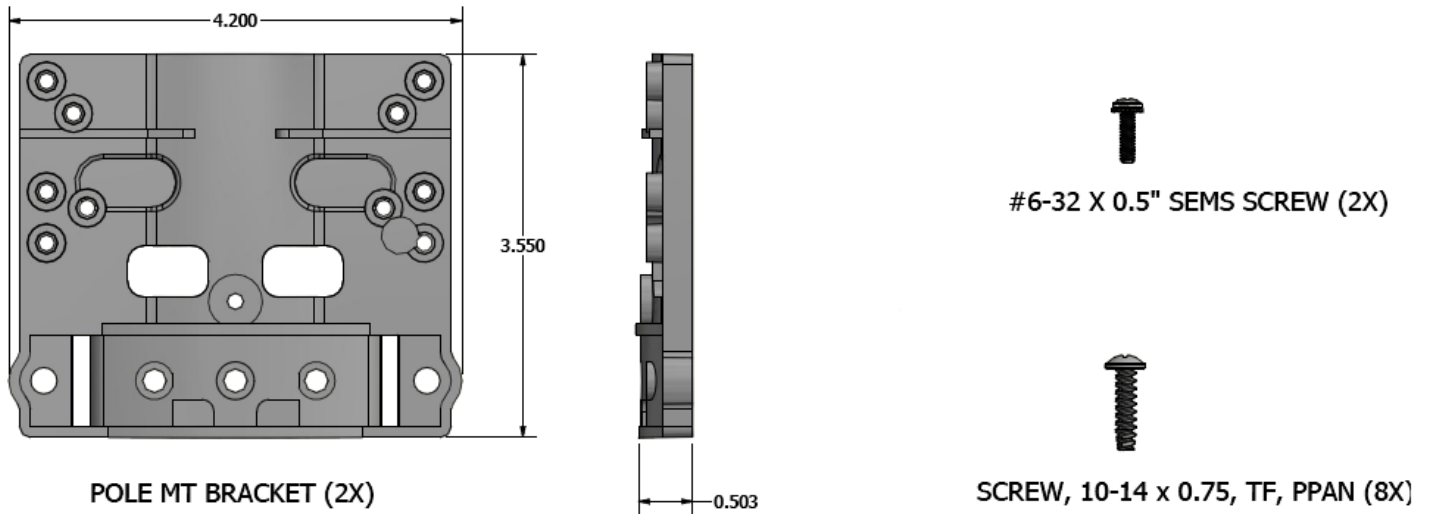
### Option Install Guide

#### SESPM1040-541-LT-xx Switch Pole Mounting Using Optional Pole Mount Bracket SESP-4P-PMB



**Note:** The switch should be mounted to a pole using screws, pole straps, or rubber-lined zip ties (not included as pole sizes can vary).

**Note:** SESP-4P-PMB installation is slightly different for the SESP-4P-PMB AC and -DC versions (machine screws are needed in 2 places to attach to the heatsink) versus the -PD version (self-tapping screws can be used).

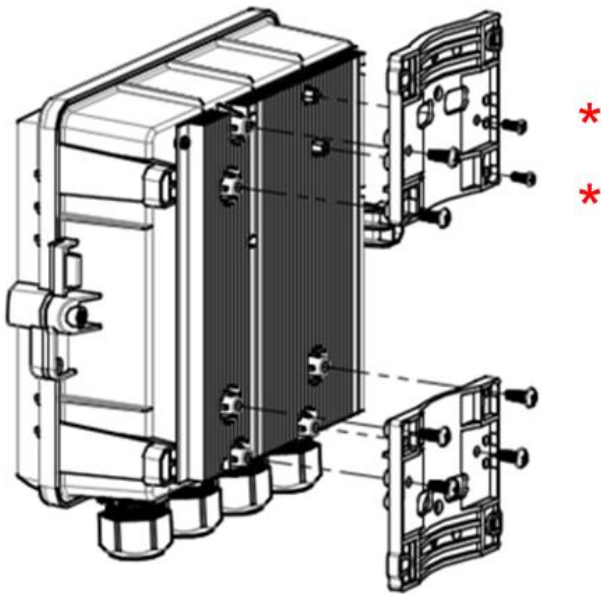


#### SESPM-4P-PMB Parts List

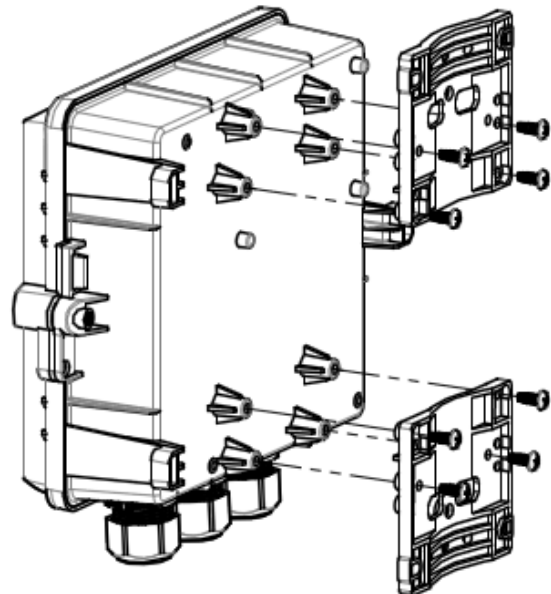
Qty	DESCRIPTION
1	Packaging, 6 x 6, 2MIL Reclosable Poly Bag
1	Manual, SESP-4P-PMB Option Install Guide
2	Pole Bracket, 010685, Plastic, POE++
8	Screw, Self-Tapping, SEMS, #6-32 X 0.5"
2	Screw, Machine, TF, PPAN, 10-14 x 0.75
1	Packaging, 2 x 3, 2MIL Reclosable Poly Bag

### SESPM-4P-PMB Install Procedure

1. See the *SESPM1040-541-LT-xx Install Guide* for important Cautions and Warnings.
2. Unpack the kit and verify the contents.
3. Mount upper bracket:
  - a. On the –AC and –DC position upper bracket as shown, insert four Machine Screws and tighten. Repeat for Lower bracket.
  - b. On the –PD position upper bracket as shown, insert two Self-Tapping Screws and tighten.
4. Mount switch with attached SESPM-4P-PMB to the pole. For metal poles, use pole straps or rubber-lined zip ties (not included) to secure the switch to the pole. For wooden poles, use screws (not included) to secure the switch to the pole.



**SESPM1040-541-LT-AC or -DC with Pole Mount Bracket Kit Attached**  
(Six Self-tapping and Two\* Machine Screws)



**SESPM1040-541-LT-PD with Pole Mount Bracket Kit Attached**  
(Eight Self-Tapping Screws)



**SESPM1040-541-LT-PD with SESPM-4P-PMB Installed**