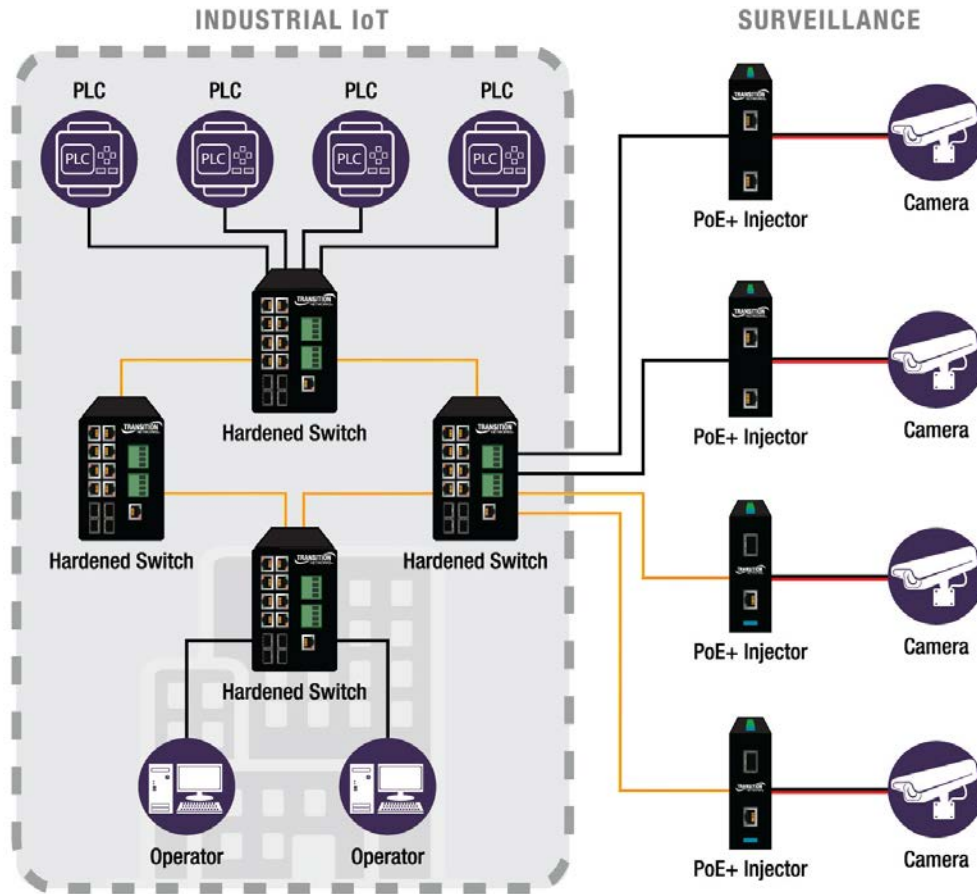


# Managed Hardened Gigabit Ethernet Switch



## Applications

- Industrial Internet of Things
- Factory Automation
- IP surveillance

## Features

- Hardened temperature range
- 12 - 48 VDC power input
- (4) dual-speed SFP slots
- Full wire-speed Gigabit ports
- G.8031 and G.8032
- IEC 62439-2 MRP
- DI/DO
- Slim Form factor
- Network Diagnostics

## Benefits

- Reliably operates within a wide temperature range (-40°C to +75°C) for harsh environments
- Wide range DC power input, fit for a majority of industrial applications such as Industrial IoT and Factory Automation
- (4) 100 or 1000Base-X SFP slots can be used for Multiple Rings for network redundancy
- Increase throughput for bandwidth-demanding applications
- Provides industry standard network protection and redundancy while ensuring compatibility among different equipment vendors
- Features an open standard for Ring topologies in industrial networks enabling faster recovery times, it's ideal for mission critical industrial Ethernet applications
- Digital Input (DI) can integrate the sensors into the auto alarm system and transfer the alarm through the IP network to save cabling efforts. With Digital Output (DO), the switch can support additional physical contacts to trigger alarms
- Easily fits into the existing cabinets with limited space
- Switch is enabled with enhanced diagnostics including IP connectivity and physical layer cabling checks and tests

## Managed Hardened Gigabit Ethernet Switch

(8) 10/100/1000Base-T Ports + (4) 100/1000Base-X SFP Slots



The SISGM1040-284-LRT is a managed switch suitable for connecting devices in hardened environments. The switch has 24Gbps switching capacity. The switch also includes the embedded Device Management System (DMS) software that provides the advanced tools necessary for total management of all IP addressable devices. The unique DMS provides security integrators with lower overall cost, less downtime and easier management of the entire network.

Transition Networks' hardened switches are certified to operate reliably in harsh environments such as those found on factory floors, outdoor enclosures or other challenging environments.

### Features

- Store-and-Forward Architecture with 24 Gbps Switching Bandwidth
- IPv4/IPv6 dual protocols
- Supports Jumbo frames up to 9K Bytes
- Rapid Ring for fast recovery
- Radius, TACACS+, User Authentication
- Supports LLDP Protocol
- IEEE 1588 v2 PTP
- Port Mirroring
- Syslog
- Static routing
- Port Security, IP Source Guard
- Web / SNMP v1,v2c,v3 / SSH / CLI management
- DHCP Relay, DHCP Snooping, DHCP Server
- Port based network access control (IEEE 802.1X)
- L2/L3/L4 ACLs Support MAC, VLAN ID or IP address, protocol, per port
- Port Trunk: Supports IEEE 802.3ad port trunk with link aggregation control protocol (LACP) and static trunk
- Multicast: Support IGMP Snooping V1/V2/V3, MVR, MLD Snooping V1/V2
- Quality of Service: Supports 8 hardware queues. Strict priority and WRR, Ingress policer, Egress shaping and per port rate control

### Specifications

Standards	IEEE 802.3 IEEE 802.3u IEEE 802.3z IEEE 802.3ae IEEE 802.3x IEEE 802.3ax IEEE 802.3az IEEE 802.3ad IEEE 802.1p IEEE 802.1Q IEEE 802.1w IEEE 802.1s IEEE 802.1AB IEEE 802.1ad IEEE 802.3ah IEEE 802.1ag IEEE 802.1D IEEE 802.1X IEEE 1588 v2 ITU-T Y.1731 ITU-T G.8031 ITU-T G.8032 IEC62439-2
MAC Address	8K
Backplane	24Gbps
Protocol Technology	CSMA/CD Store-and-Forward Switching Architecture
Connectors	(8) 100/1000 RJ-45 (4) 100/1000 SFP (1) Console RJ-45
Dimensions	Width: 2.4" [62 mm] Depth: 5.3" [135 mm] Height: 5.4" [130 mm]
Power Consumption	11 Watts (max)
Power Input	12 - 48VDC; dual inputs terminal block
Ingress Protection	IP30
Environment	Operating: -40°C to +75°C (DC Input)
Weight	2.2 lbs. [1 kg]
MTBF	193,332 hours
Certifications	FCC Class A, CE, UL Listed
Compliant* (Designed to Meet)	IEC61850-3, IEEE1613, UL C1/D2, NEMA TS-2
Warranty	5 Years

\*Please [contact sales](#) with certification needs

### Ordering Information

#### SISGM1040-284-LRT

(8) 10/100/1000Base-T [100 m/328 ft.] ports + (4) 100/1000Base-X SFP slots (Din Rail Bracket included)

#### Optional Accessories (sold separately)

##### SFP Modules

##### EDCA-DIO-01

Enclosure Door Contact Alarm

##### OCA-P181610

18x16x10" Polycarbonate Enclosure

#### Industrial Power Supplies (sold separately)

##### 25165

12VDC, 24 Watts output

##### 25130

48VDC, 40 Watts output

##### SPS-UA12DHT

Input: 90-264 VAC, 12VDC, 18 Watts output

##### PS-DC-DUAL Series

Input: 100-240 VAC

PS-DC-DUAL-5624T: 56VDC + 24V output

PS-DC-DUAL-5612T: 56VDC + 12V output

#### Mounting Brackets (sold separately)

##### WMBH-01

Wall Mount Bracket

##### DRBH-01

Din Rail Bracket

### Features Continued

- Spanning Tree: Supports IEEE 802.1s MSTP, IEEE 802.1w RSTP and IEEE 802.1d STP Compliant
- VLAN: Port Based VLAN, IEEE 802.1Q tag-based, up to 4k VLAN entries, Q-in-Q, MAC-based VLAN, Management VLAN, Voice VLAN, Private VLAN
- Firmware Update through TFTP and HTTP/HTTPS
- Media Redundancy Protocol (MRP)

### Device Management System (DMS)

- Graphical Monitoring – Topology view, Floor view, Map view
- Traffic Monitoring
- Troubleshooting – Network diagnostic, protection mechanism, performance and link management