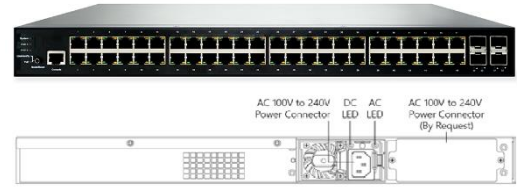


SMxxTAT4Xx Family

SM48TAT4XA-RP and SM24TAT4XB

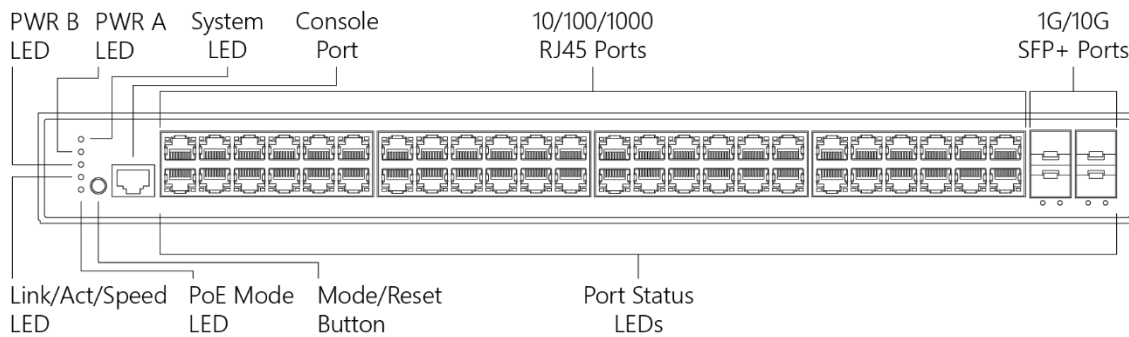
Quick Start Guide



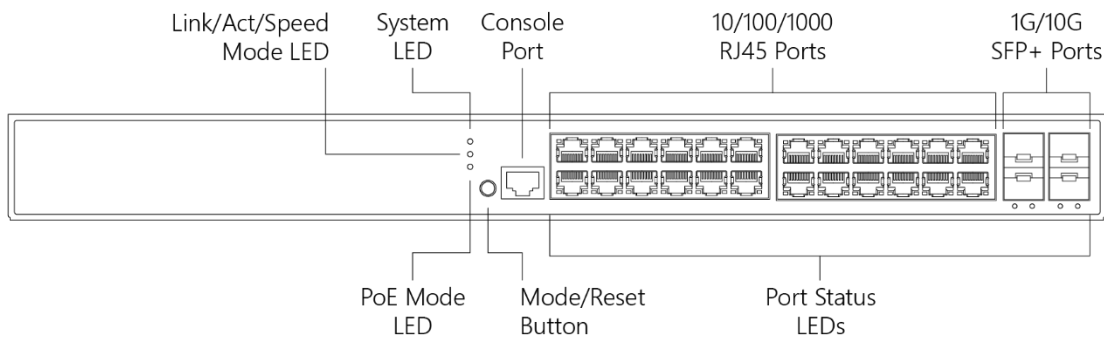
The Transition Networks SM48TAT4XA-RP is an L2 Plus 48-port Gigabit PoE+ Switch and (4) 1G/10G SFP+ ports, with Redundant Power Supplies and 740 Watt PoE budget. The SM24TAT4XB is an L2 Plus 24-port Gigabit PoE+ Switch with (4) 1G/10G SFP+ ports and 370 Watt PoE budget. **Note:** See the full Install Guide for important Safety Warnings and Cautions, Ordering Information, Specifications, AC Power Connector, Electrical Safety Warnings, Installation, Rack Mount Safety Instructions, Mounting, Troubleshooting, Compliance, Regulatory, and Warranty information.

Front Panels: The SM24TAT4XB and the SM48TAT4XA-RP front panel contain the Ports, LEDs, Console Port, and Mode/Reset button as shown and described below.

SM48TAT4XA-RP front panel:



SM24TAT4XB front panel:



Console Port: The front panel Console port provides an RJ-45 Console port to connect to a PC or terminal for Command Line Interface (CLI) command entry (e.g., a PC running Hyper Terminal, Tera Term, etc.).

10/100/1000 RJ45 Ports: The SM48TAT4XA-RP provides 48 10M/100M/1G (RJ45) front panel ports. The SM24TAT4XB provides 24 10M/100M/1G (RJ45) front panel ports.

1G/10G SFP+ Ports: The SM48TAT4XA-RP and the SM24TAT4XB both provide four SFP+ uplink ports.

LED Descriptions: The front panel LEDs allow switch status checking and monitoring. The four types of LEDs:

System LED: Indicates if the switch is powered up correctly or indicates if there is a system alarm triggered for troubleshooting.

Power LEDs (SM48TAT4XA-RP only): Indicates if the switch power supply A/B powered up correctly or not.

Port Status LEDs: Indicates the current status of each port. You can check these LEDs to understand the port status in different modes, after changing the mode by pressing the Mode/Reset button.


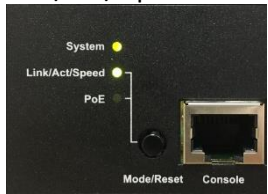
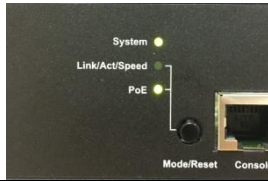
Mode LED : Indicates the mode of all ports on the switch. You can press the Mode/Reset button sequentially to switch among the two different modes (Link/Activity/Speed mode and PoE mode).

System LED: Off when switch is not receiving power. On green when switch is powered ON correctly. On red in abnormal state, such as exceeding operating temperature range, has been detected in the switch.

Table 1: Port Status LEDs:

LED	Color	Function
TP Port	Green/ Amber	For Ethernet Mode: • 1G Link/Act: Green Color # RJ45 Port Left LED Behavior: => Light off: port disconnected or link failed => Green Light on: Link Present, No Activity => Green Blinking: Activity. Port is sending or receiving data • 10M/100M Link/Act: Amber Color # RJ45 Port Right LED Behavior: =>Light off: port disconnected or link failed =>Amber Light on: Link Present, No Activity =>Amber Blinking: Activity. Port is sending or receiving data
SFP+ Port	Green/ Blue	LNK: Blue/Green (Two Color) Light off: port disconnected or link failed Green Light on: link-up (1G) Blue Light on: link-up (10G) ACT: Blinking: activity (receiving or transmitting data)

Table 2: Mode LEDs

LED	Color	Function
POWER/Alarm 	Green/Red	<ul style="list-style-type: none"> • SYS: Green/Red Bi-Color Light off: Power Off Green Lit: Indicates the switch in power on system initialization process. => Red Lit: Indicates a malfunction. Contact technical support => Green Blinking: Indicates that the switch is running normally => Red Blinking: N/A
Link/Act/ Speed 	Green	The Port Status LEDs are displaying link status, network activity and speed of each port. <ul style="list-style-type: none"> • SYS: Green Single Color • Use Mode / Reset Button to change Mode => Light off: Changed Port LED to Other Mode => Green Light on: Change Port LED to Link/Act/Speed Mode
PoE 	Green	The RJ45 Port Status LEDs are displaying PoE powering status of each port. <ul style="list-style-type: none"> • SYS: Green Single Color • Use Mode / Reset Button to change Mode => Light off: Changed Port LED to Other Mode => Green Light on: Change Port LED to PoE Mode

By pressing the Mode/Reset button for less than 2 seconds to change LED modes (Link/Act/Speed Mode or PoE Mode) you can check the port status by reading the LED behaviors. See the Install Guide.

Mode/Reset button: By pressing the Mode/Reset Button for certain period of time, you can: **Change Port Status**

LED Mode: To read the port status correctly in the two different modes (Link/Act/Speed mode or PoE mode).

Reset the Switch: To reboot and get the switch back to the previous configuration settings saved.

Restore the Switch to Factory Defaults: To restore the original factory default settings back to the switch.

Note: Based on the table below, you can determine which task is being performed by reading the LED behaviors while pressing the Mode/Reset button. Once the LED behaviors are correctly displayed, just release the button.

Mode/Reset Button:

Change LED Mode: Press the button for 0~2 seconds; the SYS LED is On green; the LED status changes based on the mode selected.

Reset Switch: Press the button for 2~7 seconds; the SYS LED blinks green; all port status LEDs are Off.

Restore to Defaults: Press the button for 7~12 seconds; the SYS LED blinks green; all port status LEDs stay On.

Back Panels: The SM48TAT4XA-RP back panel contains the AC Power Connector(s), DC and AC LEDs, and a 2nd AC Power Connector. The SM24TAT4XB back panel contains the AC Power Connector.

AC Power Connector: The back panel provides the AC Power Connector marked AC Line: 100-200V 50-60Hz.

Installation

Package Contents: Carefully unpack the switch from the packaging and verify you received one Switch, one AC Power cord, four rubber feet, this document, two 19" Ear Rack Brackets, 8 Screws, 2 screws for power plate cover, one DB9F to RJ45 Plug Console Cable, EPE for PSU (x2, -RP only), and one Post card.

Mount Switch in a 19-inch Rack: **1.** Attach the mounting brackets to both sides of the chassis. Insert screws and tighten then with a screwdriver to secure the brackets. **2.** Place the switch on a rack shelf in the rack. Push it in until the oval holes in the brackets align with the mounting holes in the rack posts. **3.** Attach the brackets to the posts. Insert screws and tighten them.

Mount Switch on Desk or Shelf: **1.** Verify that the workbench is sturdy and reliably grounded. **2.** Attach the four adhesive rubber feet to the bottom of the switch.

Install SFP+ Modules: **1.** Position the SFP device at either installation slot, with the SFP label facing up on upper SFP slots or down on lower SFP slots. **2.** Carefully slide the SFP device into the slot, aligning it with the internal installation guides. **3.** Press firmly so that the SFP device is firmly seated. **4.** Attach an appropriate cable into the SFP module port. **5.** Attach the other end of the cable to the other device.

Connect Powered Devices (PDs): Note: this device does not comply with IEEE 802.3at at 48-51.4 VDC, or with IEEE 802.3bt at 48-53.4 VDC. The latest device label indicates: 802.3af: 48-57VDC. 802.3at: 52-57VDC. 802.3bt: 54-57VDC. This device drops ~1.3V from Vin to PSEout. IEEE requires PSEout voltages at the PSE output into the cable: 802.3af: 44VDC. 802.3at: 50VDC. 802.3bt: 52VDC. Not meeting this PSEout requirement may cause power up failures or power cycling with devices drawing the maximum power with maximum cable loss.

Connect the AC Power Cord: **1.** Connect the AC power cord to the AC power receptacle of switch. **2.** Connect the other end of the AC power cord to the AC power outlet. **3.** If the SYS LED is ON, the power connection is correct.

Redundant Power (SM48TAT4XA-RP Only): The SM48TAT4XA-RP supports two power supplies for power redundancy. **1.** Use a screw driver to remove the power plate cover. **2.** Carefully insert the new Power Supply into the chassis slot until the Locking Lever clicks. **3.** See "[Connecting the AC Power Cord](#)". **4.** Save the power plate cover and screws for possible future use.

Power Supply: The PS-AC-920 Secondary power supply provides redundant power support (920 Watts).

CAUTION! Hazardous Area: Do Not remove this cover. Trained service people only. No serviceable components inside. **LEDs:** DC OK and AC OK LEDs on the power supply front panel.

Procedure: If using only one power supply, it can be installed in either power supply bay, and the Face Plate must be installed in the other bay. **1.** Remove the blank Face Plate to use the one open Power Supply slot. Save the Face Plate and screws. **2.** Carefully insert the Power Supply into the chassis until the Locking Lever clicks. **3.** Fasten the AC Power Supply with the Mounting Screws (and Power Cord Retainer, if used). **4.** Continue with "[Connecting the AC Power Cord](#)" on the next page. **Note:** This product is to be connected only to UL listed PoE networks and without routing to the outside plant.

Initial Switch Config via Web Browser: See the Web User Guide.

Initial Switch Config via CLI: **1.** Use an RJ-45 cable to connect a terminal or PC/terminal emulator to the switch port to access the CLI. **2.** Attach the RJ-45 serial Console port on the switch front panel to the cable for Telnet/CLI configuration. **3.** Attach the other end of the DB-9 cable to a PC running Telnet or a terminal emulation program such as HyperTerminal or TeraTerm. **4.** After powering up the switch for the first time, you can perform the initial switch configuration using the CLI. See the *CLI Reference* for details.

Related Information: For TN Drivers, Firmware, etc. go to the [Product Support](#) webpage (logon required). For TN Manuals, Brochures, Data Sheets, etc. go to the [Support Library](#) (no logon required).

Transition Networks: 10900 Red Circle Drive | Minnetonka, MN 55343, U.S.A. | tel: +1.952.941.7600 | toll free: 1.800.526.9267 | fax: 952.941.2322 | sales@transition.com | techsupport@transition.com | customerservice@transition.com |